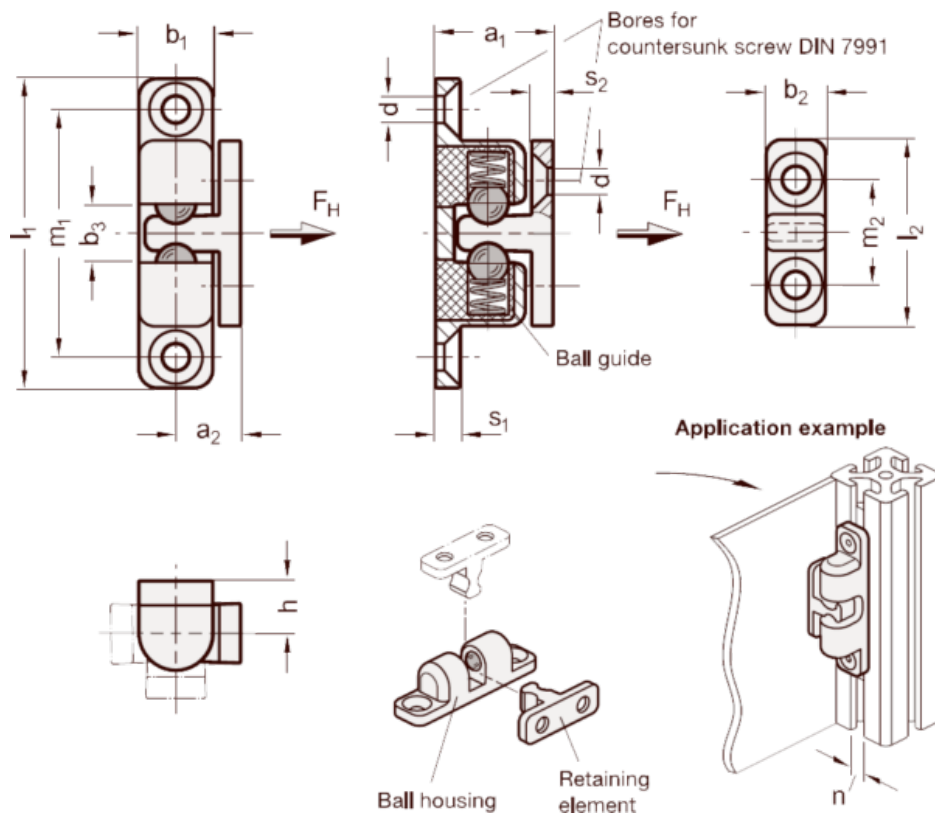


Article number: 204490ZD682SR  
 Description: E+G Ball catches  
 GN 4490-ZD-68-2-SR

## Measures



a1	= 23	Holding force FH in N = 70
a2	= 12	l1 = 68
b1	= 14.5	l2 = 32.5
b2	= 11	m1 = 55
b3	= 9.5	m2 = 20
d	= M 4	s1 = 5
for nut width n = ?	8	s2 = 3.5
h	= 11	Weight in (g) = 55